

Product Features

- Highly efficient and stable components from internationally recognised brands
- Efficient thermal system design reduces risk of overheating, increasing lifespan
- Advanced MPPT (Maximum Power Point Tracking) algorithms – MPPT efficiency >99.9%
- High performance index with wide power range
- Anti-islanding technology
- Advanced, highly reliable system protection
- LCD display with wide range of features and language options
- Easy to install, operate and maintain
- Passed multiple stringent performance tests
- Suitable for indoor and outdoor installations

Technical Parameters

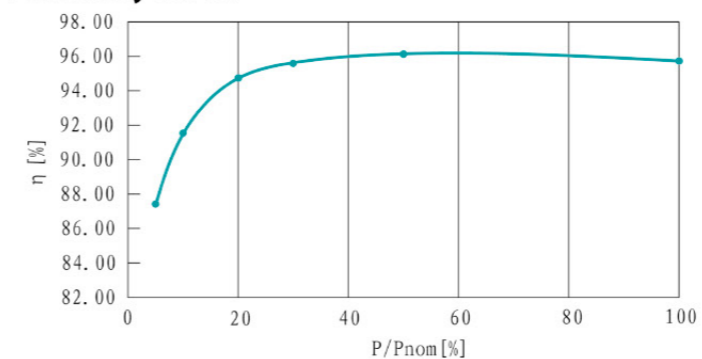
PV side	Max.PV power	1700Wp
	Max.permitted DC Voltage	520V
	Input short-circuit current	12.5A
	Max.permitted DC current	10A
	MPPT points	1
	String number	1
	MPPT range	125 ~ 450Vdc
	PV Start Voltage	150
	MPPT voltage range	99.9%
	Max Inverter feedback Current to the Array	0A
Grid side	Rated output power	1500Wp
	Max.output current	6.9A
	THD of grid current	<3%
	Power factor	≥0.99
	Max. efficiency	96%
	European efficiency	95.2%
	Output voltage	180 ~ 260 Vac
	Permitted grid frequency range	47~51.5Hz
	Standby power consumption	5W
	Nighttime power consumption	0W
Environmental conditions and safety	Protection level	IP65
	Cooling	Natural cooling
	Operating temperature range	-25 ~ +60°C
	Relative humidity range	0~98%(non condensing)
Meet the standards	Mounting altitude	2000m;above 2000m need derate operating
	Noise emissions	< 45dB@1m
Mechanical	Dimensions (W × H × D)	300 × 400 × 200 (mm)
	Weight	14kg



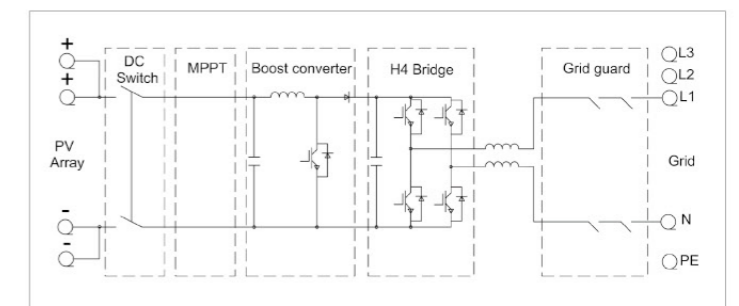
• BALART
• GERPROT
• TYPE
• APPROVED

CE AS4777 G83

Efficiency curve



Electrical drawing



Product Features

- Highly efficient and stable components from internationally recognised brands
- Efficient thermal system design reduces risk of overheating, increasing lifespan
- Advanced MPPT (Maximum Power Point Tracking) algorithms – MPPT efficiency >99.9%
- High performance index with wide power range
- Anti-islanding technology
- Advanced, highly reliable system protection
- LCD display with wide range of features and language options
- Easy to install, operate and maintain
- Passed multiple stringent performance tests
- Suitable for indoor and outdoor installations

Technical Parameters

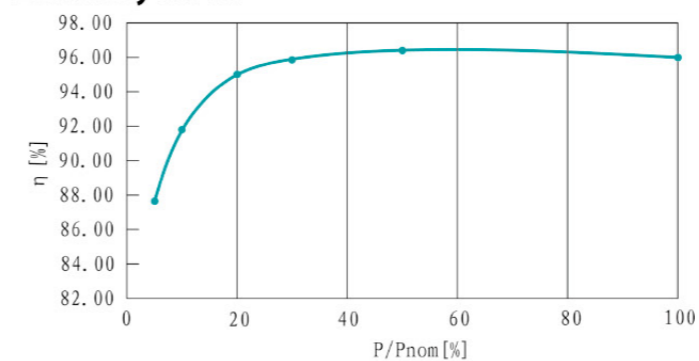
PV side	Max.PV power	2200Wp
	Max.permitted DC Voltage	520V
	Input short-circuit current	16.25A
	Max.permitted DC current	13A
	MPPT points	1
	String number	1
	MPPT range	125 ~ 450Vdc
	PV Start Voltage	150
	MPPT voltage range	99.9%
	Max Inverter feedback Current to the Array	0A
Grid side	Rated output power	2000Wp
	Max.output current	10A
	THD of grid current	<3%
	Power factor	≥0.99
	Max. efficiency	96.4%
	European efficiency	95.4%
	Output voltage	180 ~ 260 Vac
	Permitted grid frequency range	47~51.5Hz
	Standby power consumption	5W
	Nighttime power consumption	0W
Environmental conditions and safety	Protection level	IP65
	Cooling	Natural cooling
	Operating temperature range	-25 ~ +60°C
	Relative humidity range	0~98%(non condensing)
Meet the standards	Mounting altitude	2000m;above 2000m need derate operating
	Noise emissions	< 45dB@1m
Mechanical	Dimensions (W × H × D)	300 × 400 × 200 (mm)
	Weight	14kg



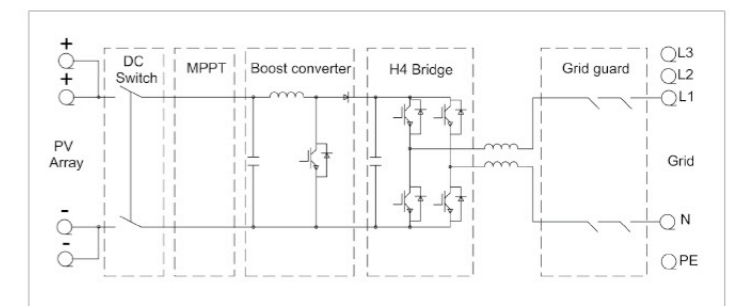
• BALART
• GERPROT
• TYPE
• APPROVED

CE AS4777 G83

Efficiency curve



Electrical drawing



Product Features

- Highly efficient and stable components from internationally recognised brands
- Efficient thermal system design reduces risk of overheating, increasing lifespan
- Advanced MPPT (Maximum Power Point Tracking) algorithms – MPPT efficiency >99.9%
- High performance index with wide power range
- Anti-islanding technology
- Advanced, highly reliable system protection
- LCD display with wide range of features and language options
- Easy to install, operate and maintain
- Passed multiple stringent performance tests
- Suitable for indoor and outdoor installations

Technical Parameters

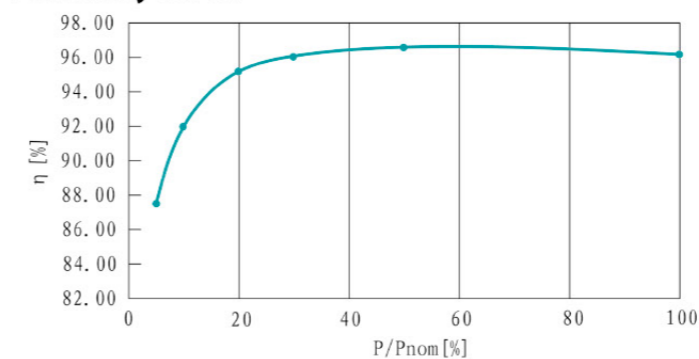
PV side	Max.PV power	3300Wp
	Max.permitted DC Voltage	520V
	Input short-circuit current	25A
	Max.permitted DC current	2*10A
	MPPT points	2
	String number	2
	MPPT range	125 ~ 450Vdc
	PV Start Voltage	150
	MPPT voltage range	99.9%
	Max Inverter feedback Current to the Array	0A
Grid side	Rated output power	3000Wp
	Max.output current	15A
	THD of grid current	<3%
	Power factor	≥0.99
	Max. efficiency	96.9%
	European efficiency	96.2%
	Output voltage	180 ~ 260 Vac
	Permitted grid frequency range	47~51.5Hz
	Standby power consumption	5W
	Nighttime power consumption	0W
Environmental conditions and safety	Protection level	IP65
	Cooling	Natural cooling
	Operating temperature range	-25 ~ +60°C
	Relative humidity range	0~98%(non condensing)
Meet the standards	Mounting altitude	2000m;above 2000m need derate operating
	Noise emissions	<45dB@1m
Mechanical	Dimensions (W × H × D)	325 × 535 × 190 (mm)
	Weight	18kg



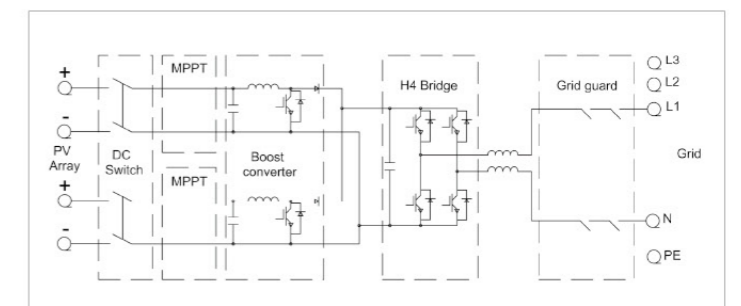
BAUART
GERÜHRT
TYPE
APPROVED

CE AS4777 G83

Efficiency curve



Electrical drawing



Product Features

- Highly efficient and stable components from internationally recognised brands
- Efficient thermal system design reduces risk of overheating, increasing lifespan
- Advanced MPPT (Maximum Power Point Tracking) algorithms – MPPT efficiency >99.9%
- High performance index with wide power range
- Anti-islanding technology
- Advanced, highly reliable system protection
- LCD display with wide range of features and language options
- Easy to install, operate and maintain
- Passed multiple stringent performance tests
- Suitable for indoor and outdoor installations

Technical Parameters

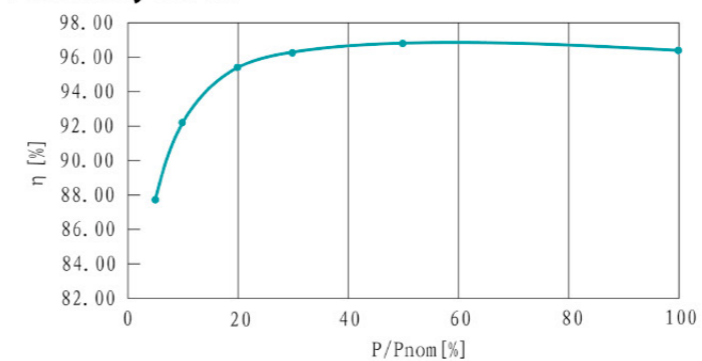
PV side	Max.PV power	4400Wp
	Max.permitted DC Voltage	520V
	Input short-circuit current	32.5A
	Max.permitted DC current	2*13A
	MPPT points	2
	String number	2
	MPPT range	125 ~ 450Vdc
	PV Start Voltage	150
	MPPT voltage range	99.9%
	Max Inverter feedback Current to the Array	0A
Grid side	Rated output power	4000Wp
	Max.output current	20A
	THD of grid current	<3%
	Power factor	≥0.99
	Max. efficiency	97.2%
	European efficiency	96.4%
	Output voltage	180 ~ 260 Vac
	Permitted grid frequency range	47~51.5Hz
	Standby power consumption	5W
	Nighttime power consumption	0W
Environmental conditions and safety	Protection level	IP65
	Cooling	Natural cooling
	Operating temperature range	-25 ~ +60°C
	Relative humidity range	0~98%(non condensing)
Meet the standards	Mounting altitude	2000m;above 2000m need derate operating
	Noise emissions	<45dB@1m
Mechanical	Dimensions (W × H × D)	325 × 535 × 190 (mm)
	Weight	20kg



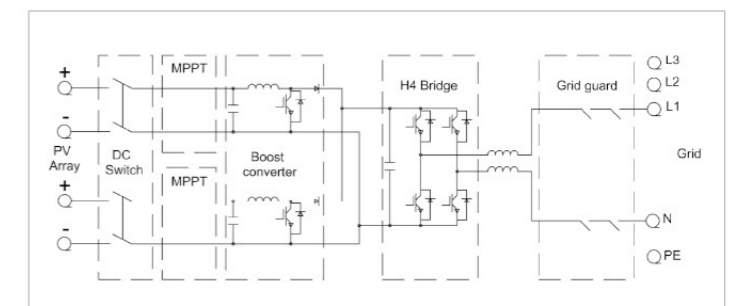
• BALART
• GERPROT
• TYPE
• APPROVED

CE AS4777 G83

Efficiency curve



Electrical drawing



Product Features

- Highly efficient and stable components from internationally recognised brands
- Efficient thermal system design reduces risk of overheating, increasing lifespan
- Advanced MPPT (Maximum Power Point Tracking) algorithms – MPPT efficiency >99.9%
- High performance index with wide power range
- Anti-islanding technology
- Advanced, highly reliable system protection
- LCD display with wide range of features and language options
- Easy to install, operate and maintain
- Passed multiple stringent performance tests
- Suitable for indoor and outdoor installations

Technical Parameters

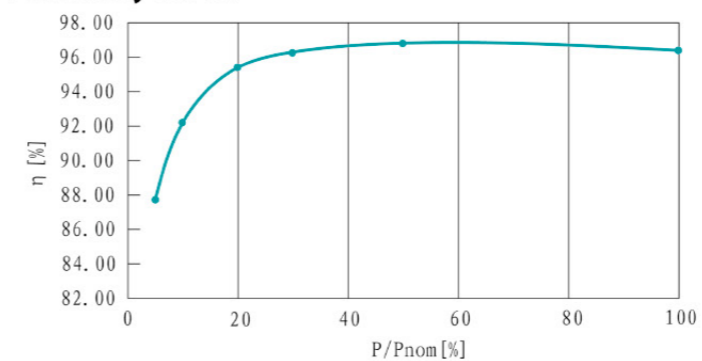
PV side	Max.PV power	5060Wp
	Max.permitted DC Voltage	520V
	Input short-circuit current	32.5A
	Max.permitted DC current	2*13A
	MPPT points	2
	String number	2
	MPPT range	150 ~ 450Vdc
	PV Start Voltage	150
	MPPT voltage range	99.9%
	Max Inverter feedback Current to the Array	0A
Grid side	Rated output power	4600Wp
	Max.output current	20A
	THD of grid current	<3%
	Power factor	≥0.99
	Max. efficiency	97.2%
	European efficiency	96.4%
	Output voltage	180 ~ 260 Vac
	Permitted grid frequency range	47~51.5Hz
	Standby power consumption	<7W
	Nighttime power consumption	0W
Environmental conditions and safety	Protection level	IP65
	Cooling	Natural cooling
	Operating temperature range	-25 ~ +60°C
	Relative humidity range	0~98%(non condensing)
Meet the standards	Mounting altitude	2000m;above 2000m need derate operating
	Noise emissions	<45dB@1m
Mechanical	Dimensions (W × H × D)	325 × 535 × 190 (mm)
	Weight	20kg



• BALART
• GERPROT
• TYPE
• APPROVED

CE AS4777 G83

Efficiency curve



Electrical drawing

